



EXTRACTING FORCEPS ENGLISH PATTERN



1102
Fig: 2
For Upper Incisors & Canines



1/2

1103

Fig: 7

For Upper Premolars



1/2

1104

Fig: 18

For Upper Molars Left



1/2

1105

Fig: 17

For Upper Molars Right



1/2

1106

Fig: 51

For Upper Roots Short & Narrow Beaks



1/2

1107

Fig: 67

For Upper Wisdom Teeth

EXTRACTING FORCEPS ENGLISH PATTERN



1/2

1108

Fig: 13

For Lower Canines & Premolars



1/2

1109

Fig: 22

For Lower Molars, Either Side



1/2

1110

Fig: 33

For Lower Incisors Premolars & Roots



1/2

1111

Fig: 79

For Lower Wisdom Teeth

EXTRACTING FORCEPS ENGLISH PATTERN



1/2

1113

Fig: 86

For Lower Molars, Gripping In Depth Lateral



1/2

1114

Fig: 90

For Upper Molars Left Gripping In Depth



1/2

1115

Fig: 89

For Upper Molars Right Gripping In Depth



EXTRACTING FORCEPS ENGLISH PATTERN



1116

Fig: 51 AL

For Upper Roots, With Especially Long Beaks



1117

Fig: 87

For Lower Molars, Gripping In Depth, Facial



1118

Fig: 4

For Lower Canines



1128

Fig: 41

For Upper Roots



1129

Fig: 45

For Lower Roots



1130

Fig: 55

For Separating Upper Molars And Roots



1131

Fig: 56

For Separating Lower Molars Roots



1132

Fig: 359

Lower Roots



1133

Fig: 29

For Upper Front Roots



1134

Fig: 29

For Upper Front Roots



1135

Fig: 30

For Upper Roots

EXTRACTING FORCEPS ROUTURIER



1136

WITZAL
Upper



1137

WITZAL
Lower



1138

ROUTURIER
For Lower Molars And Wisdom Teeth, Right



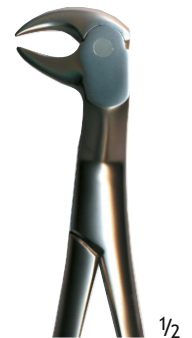
1139

ROUTURIER
For Lower Molars And Wisdom Teeth, Left



1140

ROUTURIER
For Lower Molars Gripping In Depth Lateral Right



1141

ROUTURIER
For Lower Molars Gripping In Depth Lateral Left



EXTRACTING FORCEPS FOR CHILDREN WITH SPRING



1120

KLEIN

For Children,
With Spring,
For Upper
Incisors



1121

SCHMIDT

For Children,
With Spring,
For Upper
Milk Molars



1122

KLEIN

For Children,
With Spring,
For Upper
Molars



1123

SCHMIDT

For Children,
With Spring,
For Upper
Roots



1124

KLEIN

For Children,
With Spring,
For Lower
Roots



1125

KLEIN

For Children,
With Spring,
For Lower
Molars



1126

KLEIN

For Children,
With Spring,
For Lower
Incisors

TOOTH FORCEPS FOR CHILDREN WITHOUT SPRING



1151

Fig: 37

For Children,
Without Spring,
For Upper
Incisors



1153

Fig: 39 R

For Children,
Without Spring,
For Upper
Molars, Right



1154

Fig: 39 L

For Children,
Without Spring,
For Upper
Molars, Left



1155

Fig: 51 S

For Children,
Without Spring,
For Upper
Roots



1156

Fig: 13 S

For Children,
Without Spring,
For Lower
Incisors
& Premolars



1157

Fig: 22 S

For Children,
Without Spring,
For Lower
Molars



1158

Fig: 33 S

For Children,
Without Spring,
For Lower
Roots



1159







Fig: 86 S

For Children,
Without Spring,
For Lower
Molars









TOOTH ELEVATORS







	3 mm	4 mm	5 mm	4 mm	5 mm	4 mm
						
	$\frac{1}{2}$	$\frac{1}{2}$	$\frac{1}{2}$	$\frac{1}{2}$	$\frac{1}{2}$	$\frac{1}{2}$
	1403	1405	1407	1412	1414	1419
	BEIN	BEIN	BEIN	LUXATING	LUXATING	LUXATING
	Straight	Straight	Straight	Straight	Straight	Curved



	5 mm	3 mm	4 mm	5 mm	2.5 mm	3.5 mm
						
	$\frac{1}{2}$	$\frac{1}{2}$	$\frac{1}{2}$	$\frac{1}{2}$	$\frac{1}{2}$	$\frac{1}{2}$
	1421	1422	1423	1424	1443	1445
	LUXATING	BEIN	BEIN	BEIN	FLOHR	FLOHR
	Curved	Curved	Curved	Curved		



	3.5 mm	3.5 mm
		
	$\frac{1}{2}$	$\frac{1}{2}$
	1447	1448
	FLOHR	FLOHR
	Left	Right

		
	$\frac{1}{2}$	$\frac{1}{2}$
	1465	1466
	BARRY	BARRY
	For Lower Roots, Left	For Lower Roots, Right
	Cross Bar Handle	Cross Bar Handle



TOOTH ELEVATORS

13 mm



1455

SELDIN

For Lower Roots

13 mm



1456

SELDIN

For Lower Roots

9.0 mm



1459

CRYER

For Lower Roots,
Narrow Pattern

9.0 mm



1460

CRYER

For Lower Roots,
Narrow Pattern

12 mm



1461

CRYER

For Lower Roots
Wide Pattern

12 mm



1462

CRYER

For Lower Roots
Wide Pattern



1/1

3.0 mm



1482

LINDO-LEVIAN
Root Elevator

4.0 mm



1484

LINDO-LEVIAN
Root Elevator

4.0 mm



1487

LINDO-LEVIAN
Serrated Elevator
Left

4.0 mm



1488

LINDO-LEVIAN
Serrated Elevator
Right

4.0 mm



1491

Misch Socket
Scoop
Left

4.0 mm



1492

Misch Socket
Scoop
Right

4.0 mm



1493

POTTS
Left

4.0 mm



1494

POTTS
Right



ROOT TIP ELEVATORS



1/1



1/2

1511
HEIDBRINK
Straight # 1



1/2

1512
HEIDBRINK
2



1/2

1513
HEIDBRINK
3



1/2

1514
HEIDBRINK
4



1/2

1515
HEIDBRINK
5

3.0 mm



1/2

1516
BEIN
Straight

3.0 mm



1/2

1517
BEIN
Curved

4.0 mm



1/2

1518
LUXATING
Straight

4.0 mm



1/2

1519
LUXATING
Curved

4.0 mm



1/2

1520
Bayonet Root
Straight

4.0 mm



1/2

1521
Bayonet Root
Left

4.0 mm



1/2

1522
Bayonet Root
Right

3.0 mm



1/2

1523
LUXATING
Straight

3.0 mm



1/2

1524
LUXATING
Curved



TOOTH FORCEPS SET (11 Pcs)



1011

TOOTH FORCEPS SET (7 Pcs)



1012



1013
ROOT ELEVATOR SET (7 Pcs)